



FOAMTEC

11363 Sunrise Gold Cir., Suite B
Rancho Cordova, CA 95742

office 916.851.8621

email sales@foamtecproduct.com

web www.foamtecproduct.com

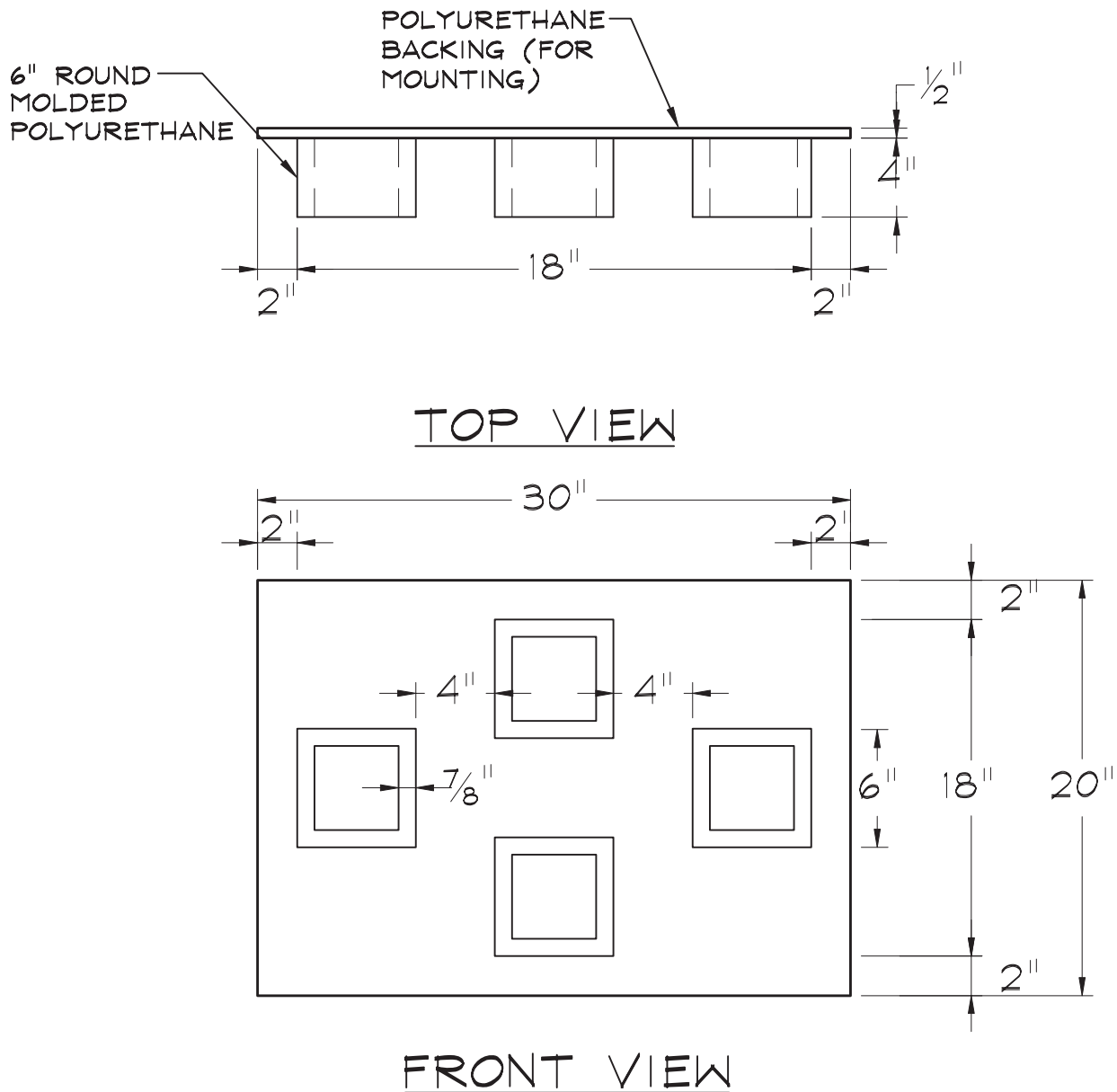
4HSV

30x22 FOUR

HOLE SQUARE

TENT VENT CLAY

PIPE TEXTURE



NOTE:
DRAWINGS NOT TO SCALE