



FOAMTEC

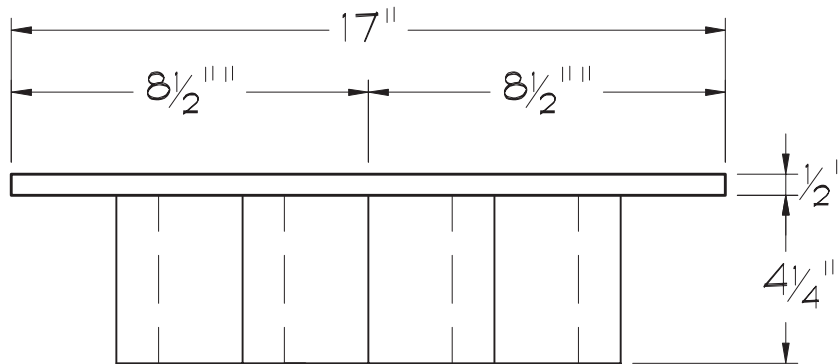
11363 Sunrise Gold Cir., Suite B
Rancho Cordova, CA 95742

office 916.851.8621

email sales@foamtecproduct.com

web www.foamtecproduct.com

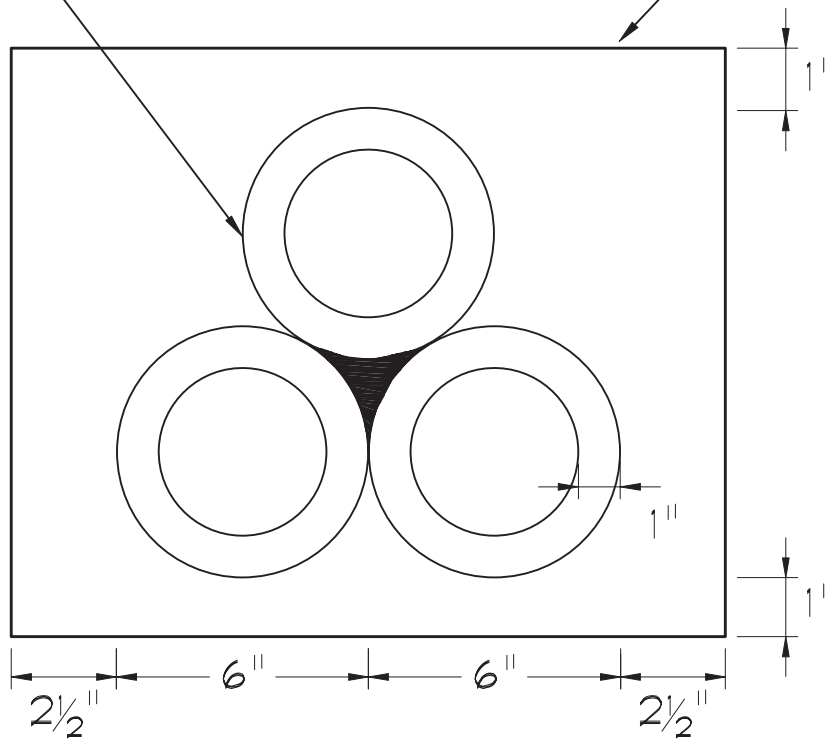
3HRCV 17x14
THREE HOLE
ROUND CLUSTER
TILE VENT CLAY
PIPE TEXTURE



TOP VIEW

6" ROUND MOLDED
POLYURETHANE

POLYURETHANE
BACKING (FOR
MOUNTING)



FRONT VIEW

NOTE:
DRAWINGS NOT TO SCALE