



FOAMTEC

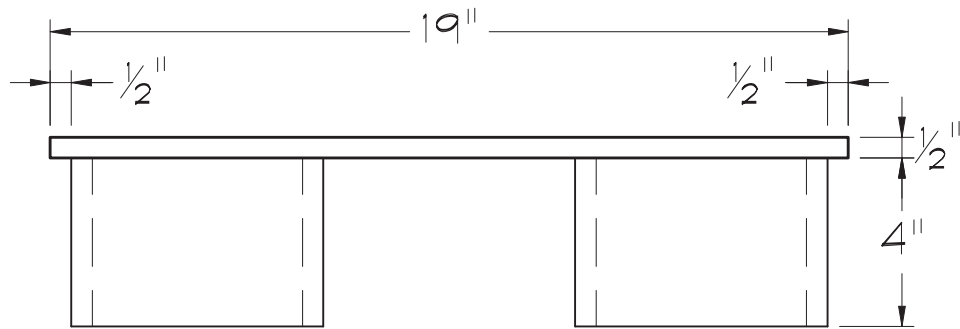
11363 Sunrise Gold Cir., Suite B
Rancho Cordova, CA 95742

office 916.851.8621

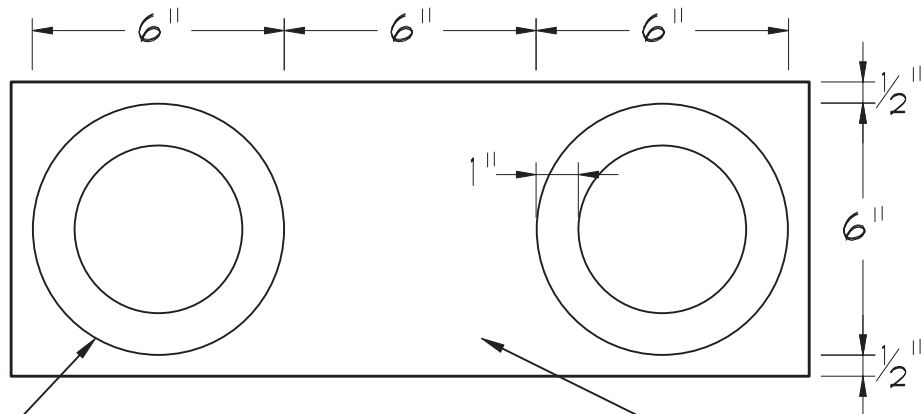
email sales@foamtecproduct.com

web www.foamtecproduct.com

2HRV
19x7 TWO
HOLE ROUND
TILE VENT
CLAY PIPE TEXTURE



TOP VIEW



6" ROUND
MOLDED
POLYURETHANE

POLYURETHANE
BACKING (FOR
MOUNTING)

FRONT VIEW

NOTE:
DRAWINGS NOT TO SCALE