



# FOAMTEC

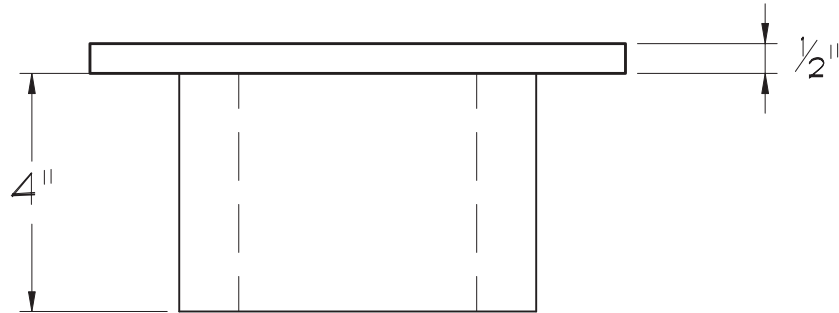
11363 Sunrise Gold Cir., Suite B  
Rancho Cordova, CA 95742

**office** 916.851.8621

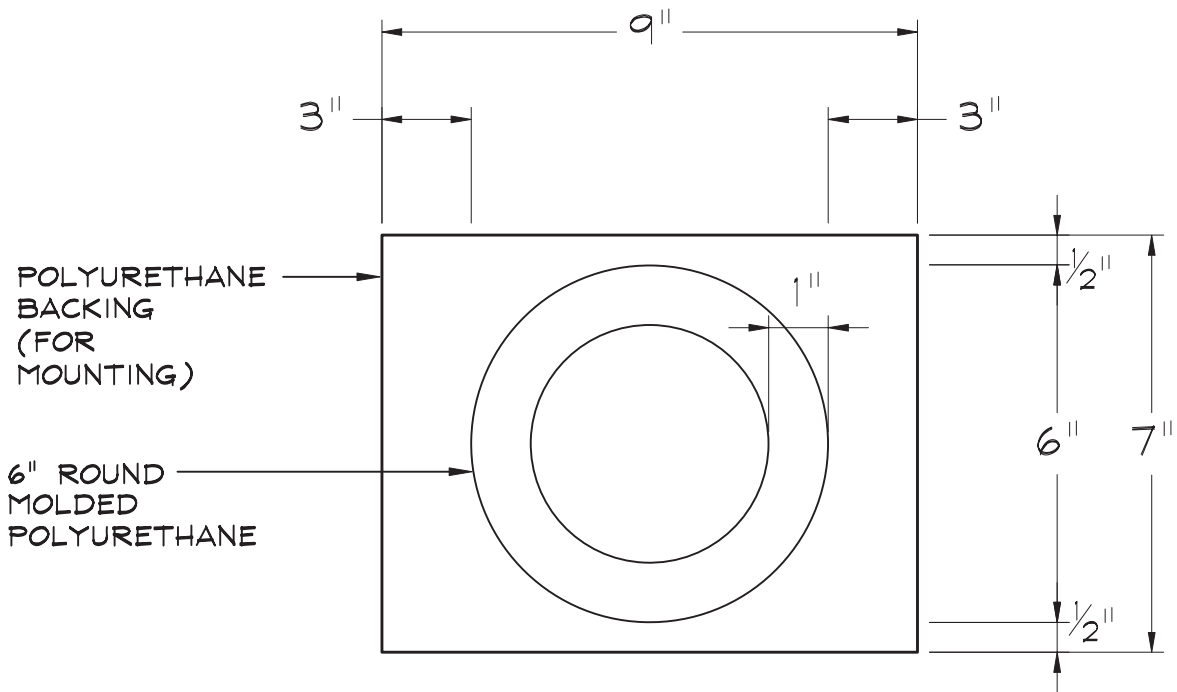
**email** sales@foamtecproduct.com

**web** www.foamtecproduct.com

1HRV  
9x7 ONE  
HOLE ROUND  
TILE VENT  
CLAY PIPE TEXTURE



TOP VIEW



FRONT VIEW

**NOTE:**  
**DRAWINGS NOT TO SCALE**