



FOAMTEC

11363 Sunrise Gold Cir. , Suite B
Rancho Cordova, CA 95742
office 916.851.8621
email sales@foamtecproduct.com
web www.foamtecproduct.com

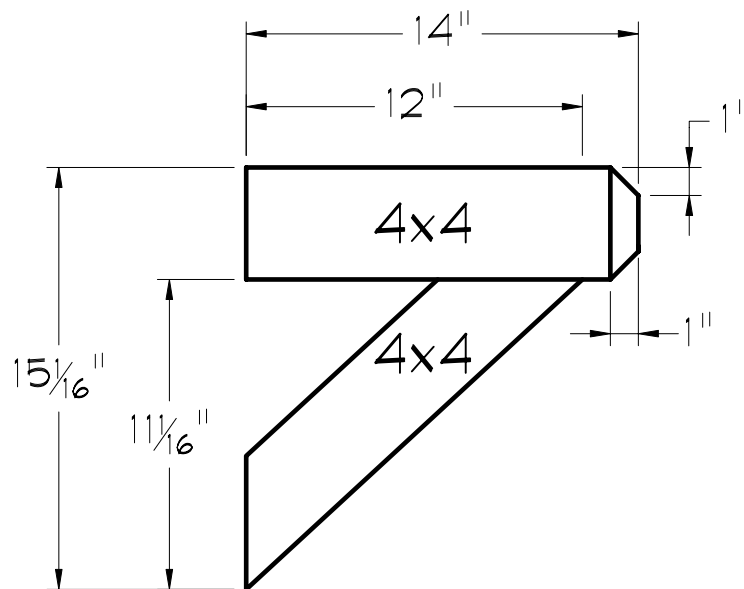
RSBRACKET-007

4x4x14

ROUGH SAWN

BRACKET

NO BACK PIECE



NOTE:
DRAWINGS NOT TO SCALE