



FOAMTEC

11363 Sunrise Gold Cir. , Suite B

Rancho Cordova, CA 95742

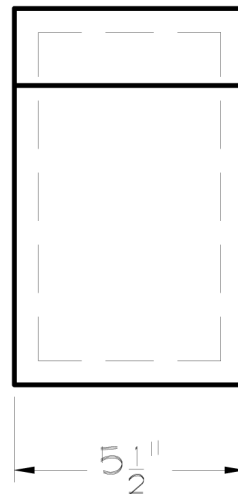
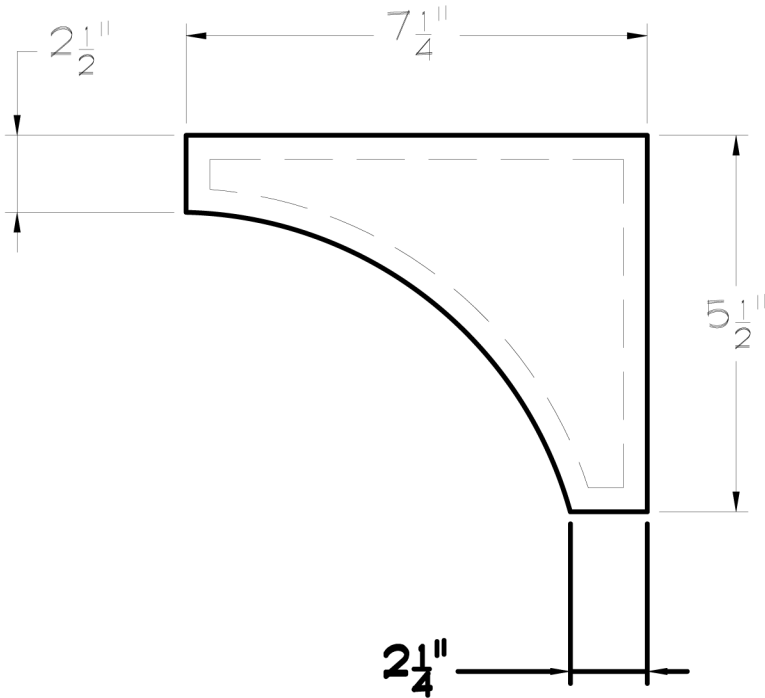
office 916.851.8621

email sales@foamtecproduct.com

web www.foamtecproduct.com

RSCOR-035

6x5 1/2x7 1/4 RESAWN CORBEL



FRONT VIEW

NOTE:
DRAWINGS NOT TO SCALE